



Titan Roof Plant Support Unit

Installation Guide



SPECIFICATION

Plant Support Frame

GENERAL DESCRIPTION

Our freestanding plant support frame is a fully galvanised modular support frame, which can easily be added to or reconfigured to support various sizes of AC unit.

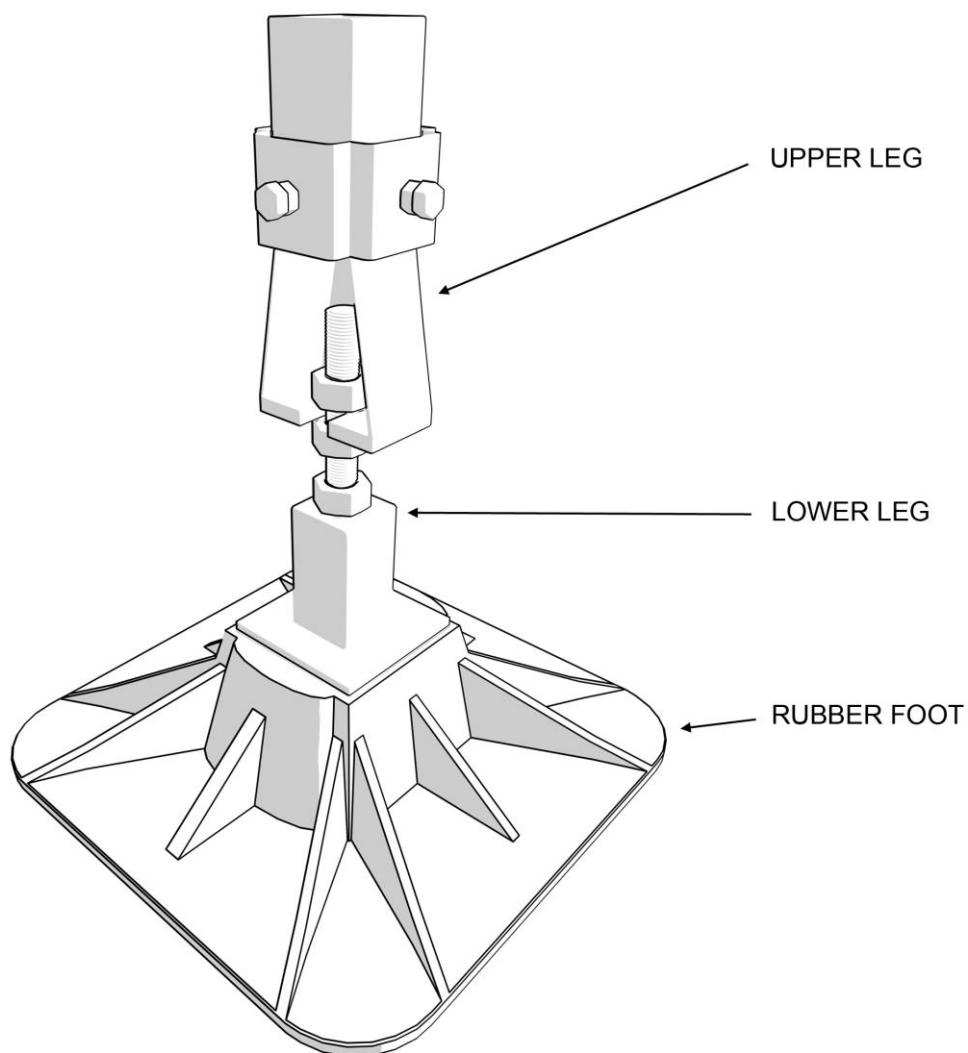
MATERIAL

The main connection, support bars, and leg assembly are manufactured from hot dipped galvanised steel equivalent to BS EN ISO 1461, the threaded bar is 24mm diameter.

The foot is manufactured from 100% recycled PVC compound.

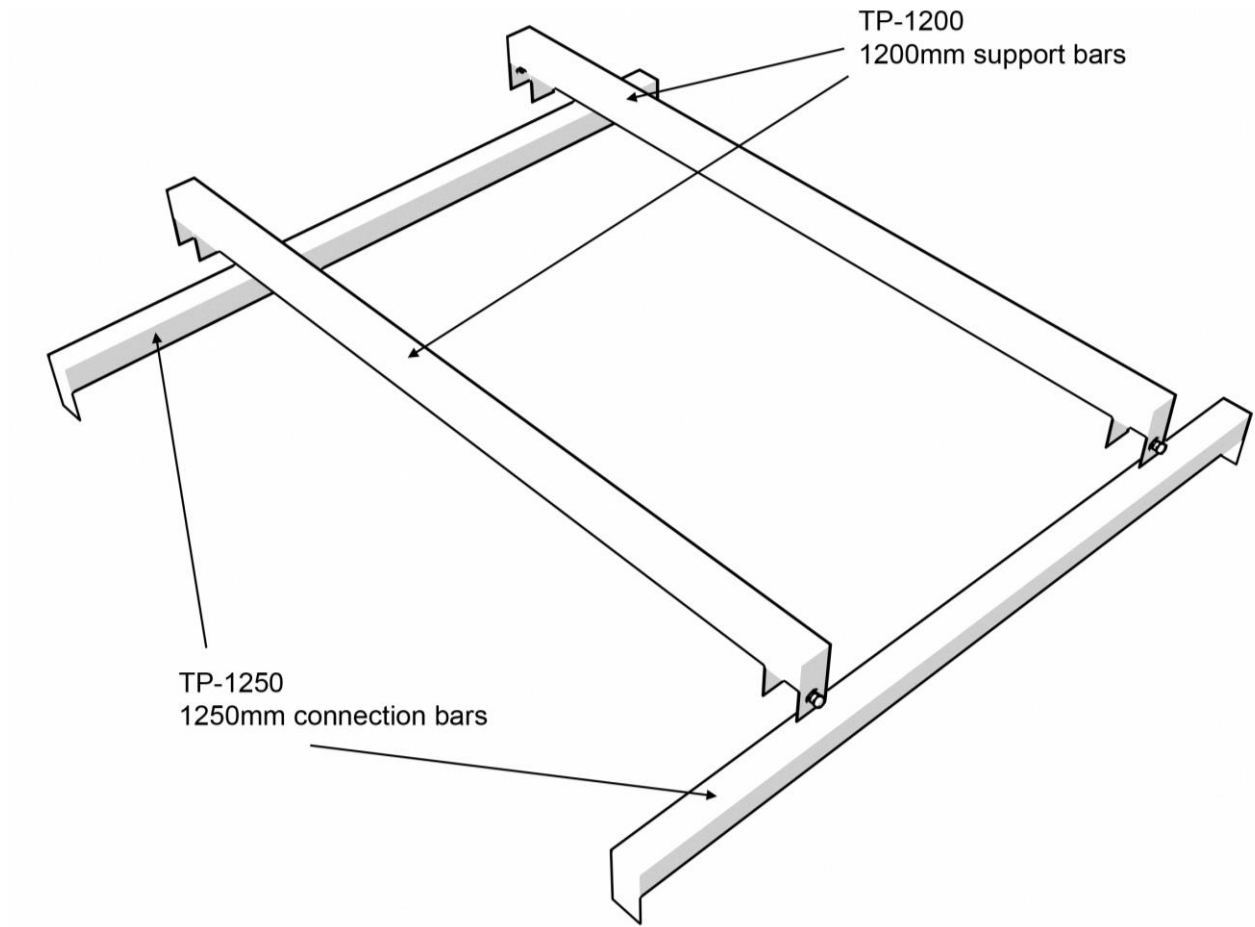
SYSTEM COMPONENTS

Leg assembly



SYSTEM COMPONENTS

Main frame



CONFIGURATION

Plant Support Frame

TYPICAL LAYOUT

